

**SPEED
Connect™**

American Standard

Exclusive Drain Design



Seals tight the first time / every time

- Never needs adjusting

Stopper is preset and pre-assembled, no adjustments

Foam gasket provides a watertight seal—no plumbers putty required



Washer / Nut come pre-installed

Durable stainless steel cable

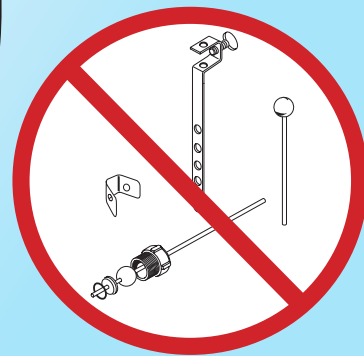
- Will not rust / corrode
- Installs easily in tight spaces
- Fewer parts, installs in less time

Strong / Durable Brass construction

Turn to install

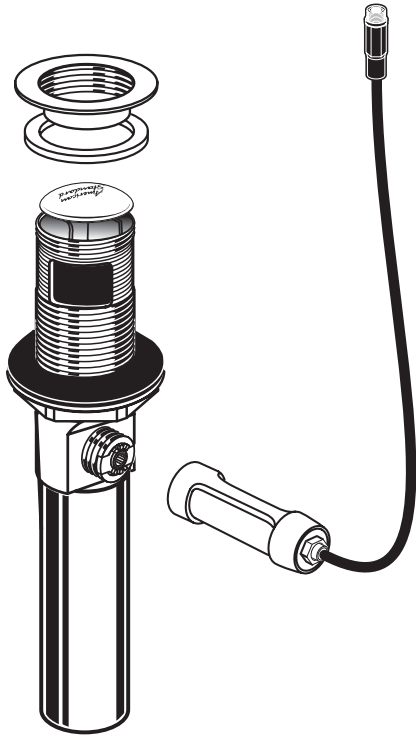


Easy access installation



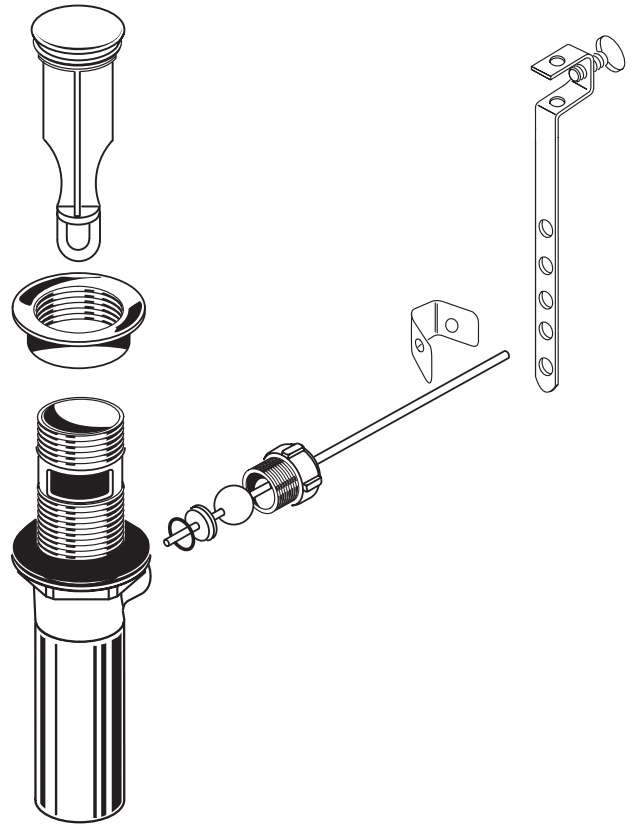
Drain Installation

With SPEED Connect™



- Feed Drain Body through Sink and thread the Flange and Gasket fully onto Drain Body.
- Tighten Locknut.
- Thread Cable Connector to Drain Body.

Without SPEED Connect™



- Apply a bead of Putty to underside of Flange.
- Feed Drain Body through Sink and thread the Flange fully onto Drain Body.
- Tighten Locknut, keeping the pivot rod hole pointed towards the back of the sink.
- Insert Pivot Rod into Drain Body and tighten Pivot Nut.
- Position Extension Rod onto Pop-Up Rod and tighten Thumbscrew.
- Remove one end of Clip from Pivot Rod by squeezing ends together while sliding.
- Insert Pivot Rod into second or third hole in Extension Rod and reassemble Clip.
- Drop Stopper into Drain Body.
- Adjust stopper height by repositioning Extension Rod and tightening Thumbscrew.