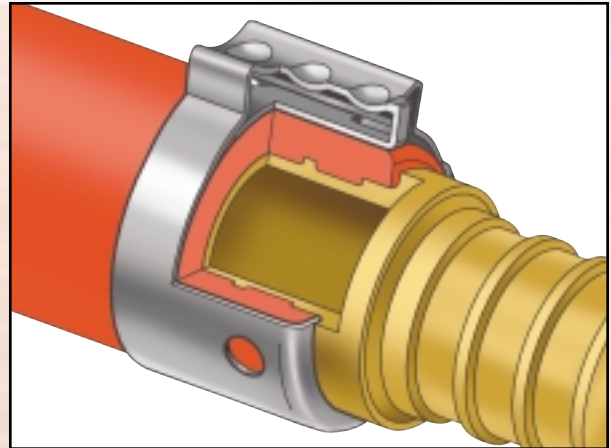


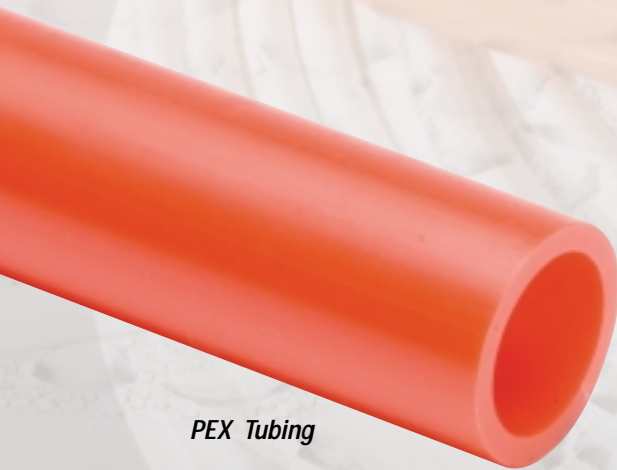
Introducing Zurn QickClamp™!

Installing Zurn PEX systems just got easier with the new Zurn patent-pending QickClamp fitting. This innovative new fitting connection uses just one tool, saving time and money. Strong and durable, QickClamp is backed by Zurn's 25 year warranty. The stainless steel construction makes it ideal for both plumbing and heating applications.

For more information about the many features and benefits of the new Zurn QickClamp and other Zurn PEX systems, please contact your Zurn PEX sales representative or visit our website at www.zurn.com.



Zurn QickClamp ensures a 360° watertight connection.



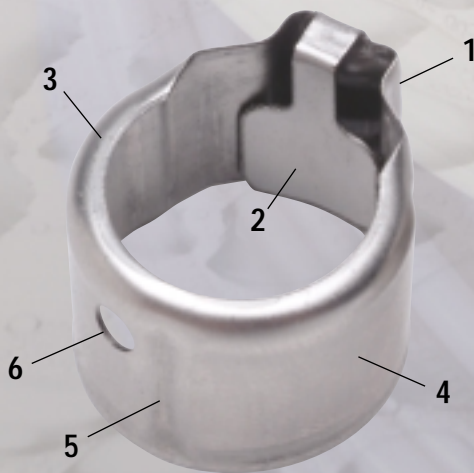
PEX Tubing



QickClamp™



Crimp Fitting



Features That Count ...

- 1 - Crimping ear allows one tool for all sizes*
- 2 - Bridge feature provides uniform crimping forces*
- 3 - Locating shoulder properly positions critical components*
- 4 - Stainless steel material resists corrosion*
- 5 - Gripping ribs minimize installation time*
- 6 - Position indicator visually confirms assembly*



ZURN PEX PLUMBING AND RADIANT HEATING SYSTEMS

HIGHWAY 11 EAST · COMMERCE, TX, USA 75428 · PHONE: 1-800-872-7277 · FAX: 1-800-209-2148 · www.zurn.com

Form No. ZPM06176, 7/06
© 2006 Zurn Industries, Inc.